

ASSEMBLY INSTRUCTIONS

(For LD1063A-48)

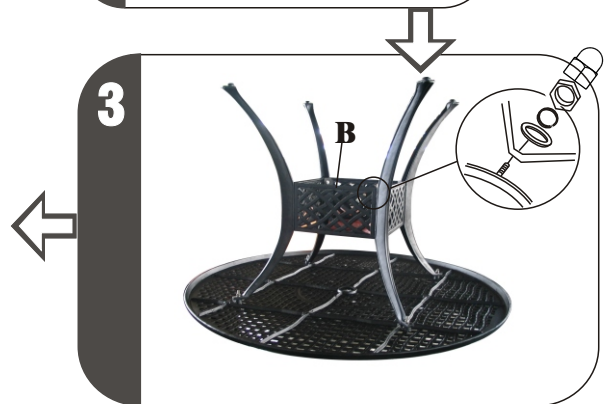
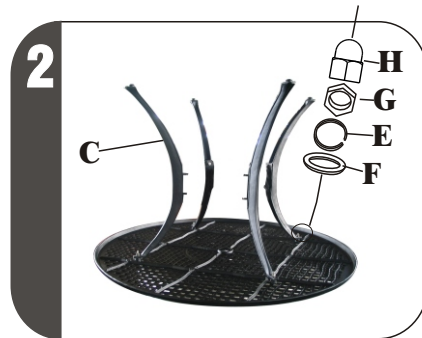
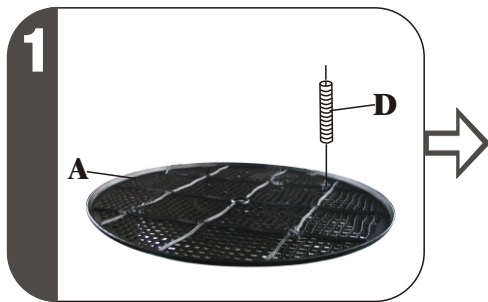
ATTENTION:


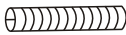





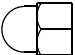
1. Please read these instructions carefully before assembly.
2. Aluminum is soft metal over tighten may strip thread or break the part.
3. DO NOT use power tools.

Assembly steps:

1. Turn the table top(A) upside down on the soft clean surface. Loosely attach 4 bolts(D) to the table top. Tighten the bolts at this time.
2. Loosely attach the 4 legs(C) to the table top with flat washers(F), lock washers(E), nuts(G) and nut caps(H). DO NOT tighten the nuts.
3. Loosely attach each of the 4 center plates(B) to the legs. Note that the recessed end of each plate goes on the leg last at each corner. Secure using flat washers, lock washers, nuts and nut caps.
4. Tighten all the bolts and nuts completely. DO NOT over tighten the nuts and bolts.
5. Turn the table onto its legs and adjust the footcap to level the tables.

Warning : please do not use acid or alkaline washing liquid to clean the product.



Parts list	Parts picture	Description	Q'ty	Parts list	Parts picture	Description	Q'ty
A		Table top	1	D	 (M8 * 35)	Bolt	4
B		Center plate	4	E		Lock washer	12
C		Table leg	4	F		Flat washer	12
				G		Nut	12
				H		Nut cap	12